

L59 SERIES

- SNAPFIT LED INDICATOR LIGHTS
- 1/4" DIA. MOUNTING HOLE
- BLACK NYLON HOUSING WITH INTEGRAL BEZEL
- 6" WIRE LEADS OR STRAIGHT TERMINALS
- CLEAR OR DIFFUSED LED • VARIOUS LED COLORS • 2 TO 24 VOLTS D.C.

Overview

The L59 Series LED indicators are constructed with a black nylon housing with integral bezel. Each unit is supplied with a high brightness clear or diffused LED and two color-coded 6" wire leads. Standard voltages range from 2 to 24 volts DC. Indicators snapfit into 0.250" (6.35mm) diameter mounting hole with a recommended panel thickness range of 0.030" to 0.062" (0.762-1.57mm). Current: 20mA Typical.

Specifications

Housing: black nylon.

LED Lens: clear (L59C) or diffused (L59D).

LED DC voltage options: 2, 6, 12 and 24 volts.

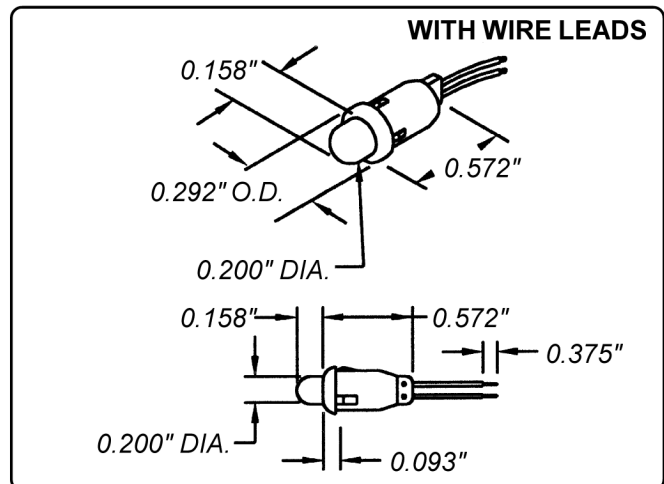
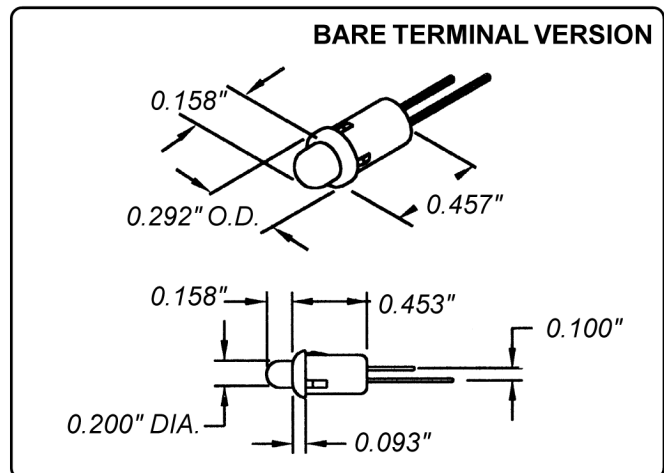
Wire leads:

6" leads: #24 AWG, prebonded copper, thin wall PVC, UL/CSA rated 105° C, stripped 1/2". A red wire lead denotes the anode (+) while a black wire lead identifies the cathode (-). Custom wire lengths, stripping, termination and wire types are available.

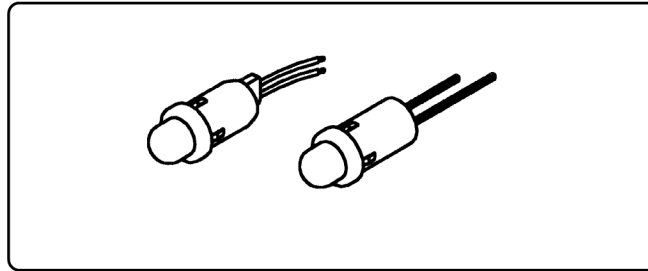
Terminals:

Bare terminals: longer terminal lead identifies the anode (+).

Other LEDs: bi-color, low current or ultrabright.



**L59 Series
LED Indicator Light
2 to 24 Volts DC
Clear LED or
Diffused LED
1/4" Mounting Hole**



**6" Wire Leads or
Straight Terminals
Black Nylon Housing
With Integral Bezel
Various LED Colors
SnapFit Mounting**

Part Number 6" Wire Leads	Part Number Straight Terminals	Lens Style	Lens Color	Design Volts DC	Typical Intensity (mcd)	Typical Viewing Angle
L59C-G2-W	L59C-G2-T	Clear	Green	2	50	30°
L59C-G6-W	L59C-G6-T	Clear	Green	6	50	30°
L59C-G12-W	L59C-G12-T	Clear	Green	12	50	30°
L59C-G24-W	--	Clear	Green	24	50	30°
L59C-R2-W	L59C-R2-T	Clear	Red	2	50	30°
L59C-R6-W	L59C-R6-T	Clear	Red	6	50	30°
L59C-R12-W	L59C-R12-T	Clear	Red	12	50	30°
L59C-R24-W	--	Clear	Red	24	50	30°
L59C-Y2-W	L59C-Y2-T	Clear	Yellow	2	50	30°
L59C-Y6-W	L59C-Y6-T	Clear	Yellow	6	50	30°
L59C-Y12-W	L59C-T12-T	Clear	Yellow	12	50	30°
L59C-Y24-W	--	Clear	Yellow	24	50	30°
L59D-G2-W	L59D-G2-T	Diffused	Green	2	20	60°
L59D-G6-W	L59D-G6-T	Diffused	Green	6	20	60°
L59D-G12-W	L59D-G12-T	Diffused	Green	12	20	60°
L59D-G24-W	--	Diffused	Green	24	20	60°
L59D-R2-W	L59D-R2-T	Diffused	Red	2	10	60°
L59D-R6-W	L59D-R6-T	Diffused	Red	6	10	60°
L59D-R12-W	L59D-R12-T	Diffused	Red	12	10	60°
L59D-R24-W	--	Diffused	Red	24	10	60°
L59D-Y2-W	L59D-Y2-T	Diffused	Yellow	2	20	60°
L59D-Y6-W	L59D-Y6-T	Diffused	Yellow	6	20	60°
L59D-Y12-W	L59D-Y12-T	Diffused	Yellow	12	20	60°
L59D-Y24-W	--	Diffused	Yellow	24	20	60°

Polarity Determination - Wire Leads: Red wire lead denotes anode (+); black wire lead denotes cathode (-).
Bare terminals: longer terminal lead identifies the anode (+).